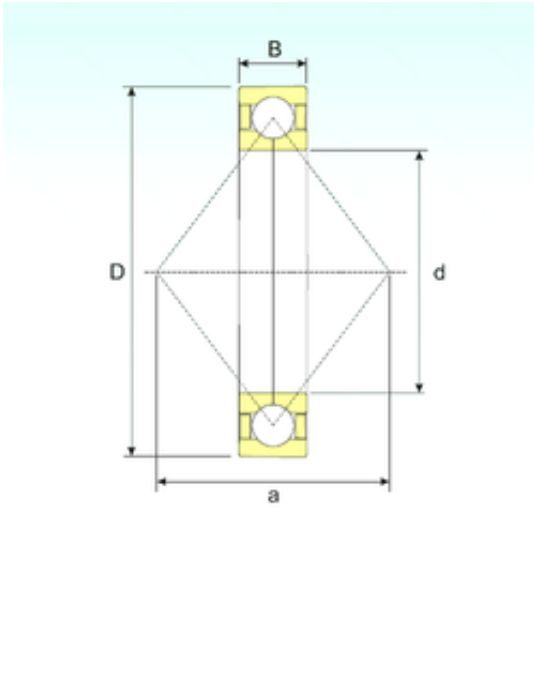




Toyana Bearing Manufacturing of Canada



QJ 1064 Bearing 2D drawings and 3D CAD models

320 mm x 480 mm x 74 mm ISB QJ 1064 angular contact ball bearings

Bearing No. QJ 1064

Size	320x480x74 mm
Bore Diameter	320 mm
Outer Diameter	480 mm
Width	74 mm
d	320 mm
D	480 mm
B	74 mm
C	74 mm
a	280 mm
Weight	50 Kg
Basic dynamic load rating (C)	663 kN
Basic static load rating (C0)	1040 kN
(Grease) Lubrication Speed	800 r/min