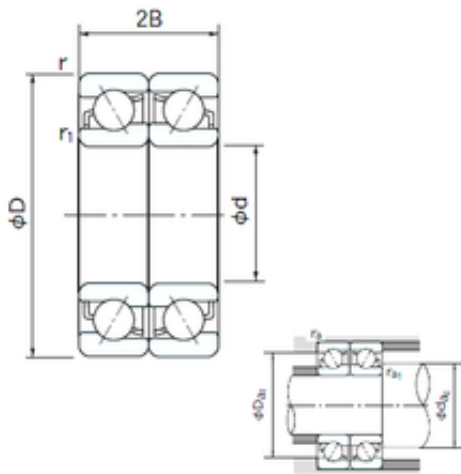




Toyana Bearing Manufacturing of Canada



150 mm x 270 mm x 45 mm NACHI 7230BDF
angular contact ball bearings

Bearing No. 7230BDF

7230BDF Bearing 2D drawings and 3D CAD models

Size	150x270x45 mm
Bore Diameter	150 mm
Outer Diameter	270 mm
Width	45 mm
d	150 mm
D	270 mm
B	45 mm
C	45 mm
Angle (°)	40 °
a	65.6 mm
r min.	3 mm
r1 min.	1.1 mm
2B	90 mm
da min.	157 mm
Da max.	263 mm
ra max.	1 mm
Weight	11.0 Kg
Basic dynamic load rating (C)	360 kN
Basic static load rating (C0)	490 kN
(Grease) Lubrication Speed	1500 r/min
Bore Type	Cylindrical Bore
Enclosure	Open
Configuration	Duplex
Bore Size	150 mm
Outside Diameter	270 mm



Toyana Bearing Manufacturing of Canada

Width	45 mm
Fillet Radius/Chamfer	3 mm
r1	1.1 mm
Dynamic Load Rating	360,000 N
Static Load Rating	490,000 N
Limiting Speed - Grease	1,500 rpm
Limiting Speed - Oil	2,000 rpm
da1 (min)	164 mm
da2 (min)	157 mm
Da1 (max)	256 mm
Da2 (max)	263 mm
ra (max)	2.5 mm
ra1 (max)	1 mm