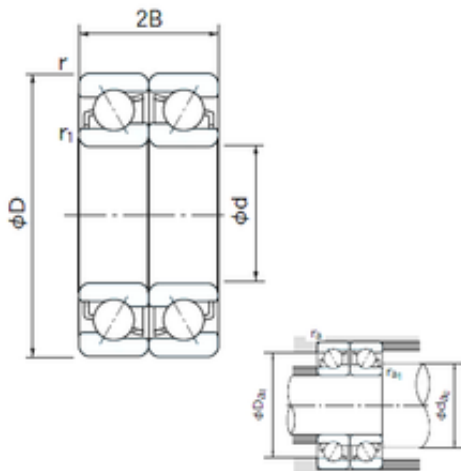




Toyana Bearing Manufacturing of Canada



70 mm x 150 mm x 35 mm NACHI 7314DF
angular contact ball bearings

Bearing No. 7314DF

7314DF Bearing 2D drawings and 3D CAD models

Size	70x150x35 mm
Bore Diameter	70 mm
Outer Diameter	150 mm
Width	35 mm
d	70 mm
D	150 mm
B	35 mm
C	35 mm
Angle (°)	30 °
a	14.3 mm
r min.	2.1 mm
r1 min.	1.1 mm
2B	70 mm
da min.	77 mm
Da max.	143 mm
ra max.	1 mm
Weight	2.70 Kg
Basic dynamic load rating (C)	203 kN
Basic static load rating (C0)	188 kN
(Grease) Lubrication Speed	3200 r/min
Bore Type	Cylindrical Bore
Enclosure	Open
Configuration	Duplex
Bore Size	70 mm
Outside Diameter	150 mm



Toyana Bearing Manufacturing of Canada

Width	35 mm
Fillet Radius/Chamfer	2.1 mm
r1	1.1 mm
Dynamic Load Rating	203,000 N
Static Load Rating	188,000 N
Limiting Speed - Grease	3,200 rpm
Limiting Speed - Oil	4,300 rpm
da1 (min)	82 mm
da2 (min)	77 mm
Da1 (max)	138 mm
Da2 (max)	143 mm
ra (max)	2 mm
ra1 (max)	1 mm