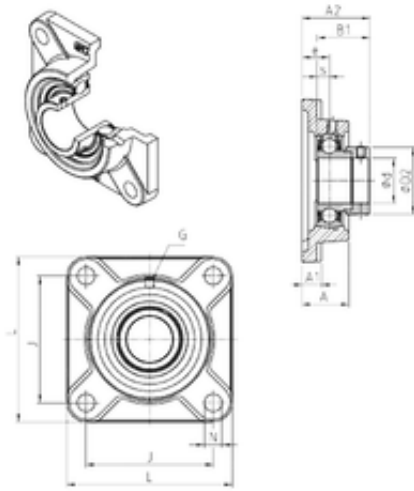




Toyana Bearing Manufacturing of Canada



SNR ESF208 bearing units

Bearing No. ESF208

Bore Diameter	40 mm
d	40 mm
e	21 mm
s	11 mm
A	36 mm
A1	15 mm
B1	43,7 mm
D2	60,3 mm
J	102 mm
L	130 mm
N	16 mm
Thread (G)	M6x1
A2	53,7 mm
Weight	1,9 Kg
Basic dynamic load rating (C)	29,6 kN

ESF208 Bearing 2D drawings and 3D CAD models