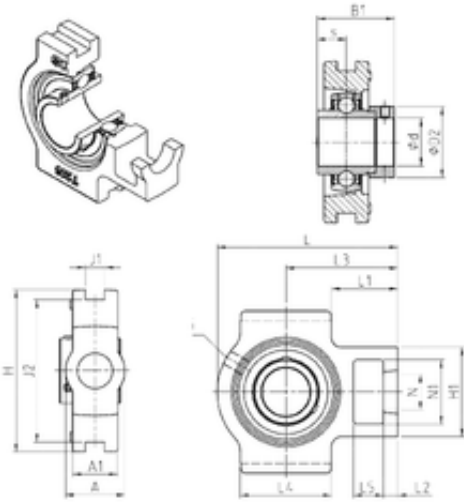




Toyana Bearing Manufacturing of Canada



EXT209 Bearing 2D drawings and 3D CAD models

SNR EXT209 bearing units

Bearing No. EXT209

Bore Diameter	45 mm
d	45 mm
L4	83 mm
L5	19 mm
L2	16 mm
L3	87 mm
s	21,4 mm
A	49 mm
A1	35 mm
B1	56,3 mm
D2	63,5 mm
H	117 mm
H1	83 mm
L	144 mm
L1	45,5 mm
N	29 mm
N1	49 mm
Thread (G)	M6x1
J1	16 mm
J2	102 mm
Weight	2,5 Kg
Basic dynamic load rating (C)	31,85 kN
A2	35 mm
B	42.8 mm
A5	21.4 mm
d1	62 mm



Toyana Bearing Manufacturing of Canada

G	M6x1
H2	83 mm
N2	49 mm
s1	39.7 mm
S	21.4 mm
SW	4 mm
C	31.85 kN
C0	20.8 kN
T min.	-20 ° C
T max.	100 ° C
Recommended tightening torque for set screw	11.5 Nm
Designation of housing	T209-
Designation of bearing	EX209G2