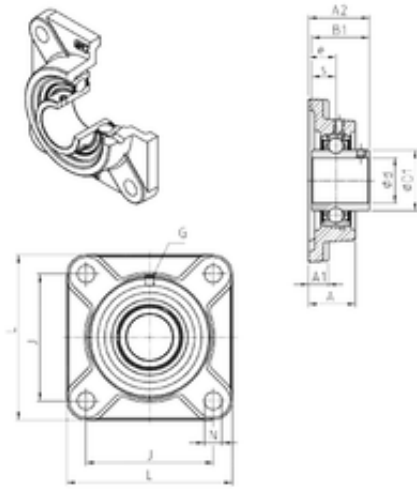




Toyana Bearing Manufacturing of Canada



SNR UCF313 bearing units

Bearing No. UCF313

Bore Diameter	65 mm
d	65 mm
e	33 mm
s	30 mm
A	58 mm
A1	22 mm
B1	75 mm
D1	87,5 mm
J	166 mm
L	208 mm
N	23 mm
Thread (G)	M6x1
A2	78 mm
Weight	7,9 Kg
Basic dynamic load rating (C)	93,86 kN

UCF313 Bearing 2D drawings and 3D CAD models