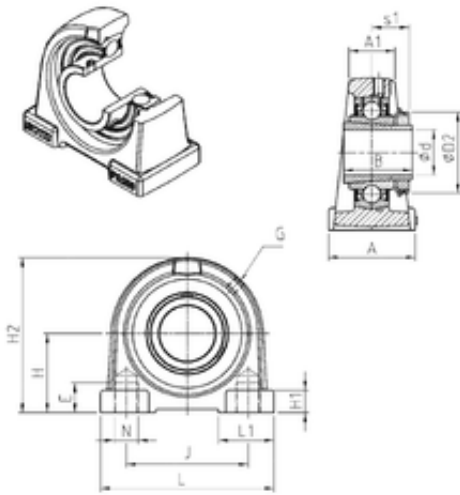




# Toyana Bearing Manufacturing of Canada



## SNR UKPA210H bearing units

Bearing No. UKPA210H

Bore Diameter	45 mm
d	45 mm
s1	27,5 mm
A	60 mm
A1	32 mm
B	55 mm
D2	70 mm
E	25 mm
H	57,2 mm
H1	14 mm
H2	116 mm
J	94 mm
L	130 mm
L1	35 mm
Thread (G)	M6x1
Thread (N1)	M16
Weight	2,7 Kg
Basic dynamic load rating (C)	35,1 kN

UKPA210H Bearing 2D drawings and 3D CAD models