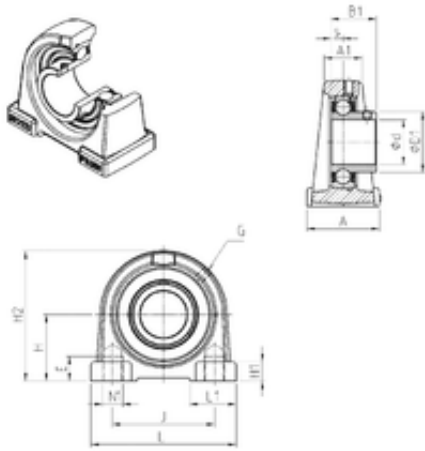




Toyana Bearing Manufacturing of Canada



SNR USPAE207 bearing units

Bearing No. USPAE207

Bore Diameter	35 mm
d	35 mm
s	8,5 mm
A	45 mm
A1	27 mm
B1	32 mm
D1	48 mm
E	12,5 mm
H	47,6 mm
H1	12 mm
H2	93 mm
J	82,6 mm
L	103 mm
L1	22,5 mm
Thread (G)	R1/8"
Thread (N1)	M10
Weight	1,3 Kg
Basic dynamic load rating (C)	25,7 kN

USPAE207 Bearing 2D drawings and 3D CAD models