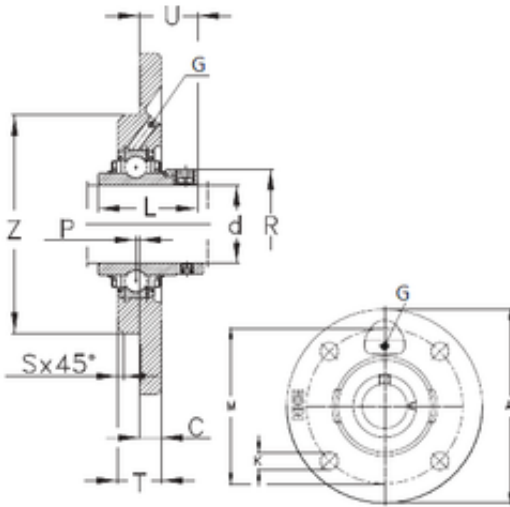




Toyana Bearing Manufacturing of Canada



NKE RMEY75 bearing units

Bearing No. RMEY75

Bore Diameter	75 mm
d	75 mm
P	0 mm
U	44,5 mm
K	18 mm
Z	160 mm
A	220 mm
C	18 mm
L	77,8 mm
M	184 mm
S	6 mm
T	32 mm
Thread (G)	R1/8 "

RMEY75 Bearing 2D drawings and 3D CAD models