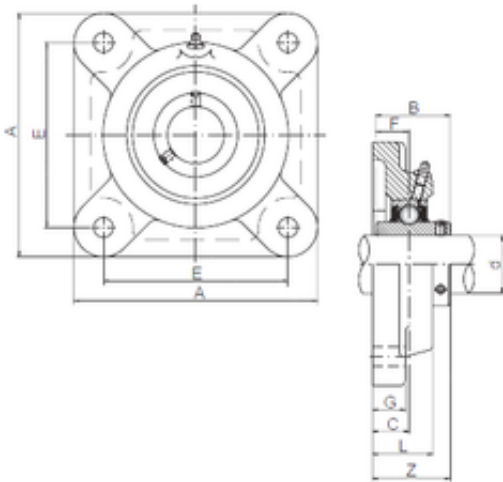




Toyana Bearing Manufacturing of Canada



ISO UCF211 bearing units

Bearing No. UCF211

| | |
|---------------|---------|
| Bore Diameter | 55 mm |
| Width | 55,6 mm |
| d | 55 mm |
| Z | 58,4 mm |
| A | 162 mm |
| B | 55,6 mm |
| C | 25 mm |
| E | 130 mm |
| F | 22,2 mm |
| G | 20 mm |
| L | 43 mm |
| S | 19 mm |
| Bolt (G) | M16 |

UCF211 Bearing 2D drawings and 3D CAD models