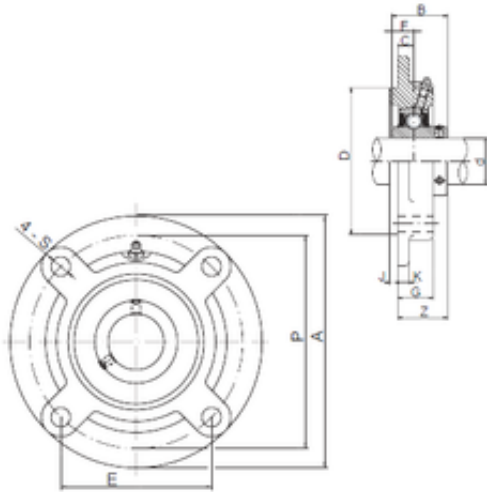




Toyana Bearing Manufacturing of Canada

25 mm x 76 mm x 38,1 mm ISO UCFCX05 bearing units



Bearing No. UCFCX05

Bore Diameter	25 mm
d	25 mm
P	92 mm
Z	32,2 mm
A	111 mm
B	38,1 mm
C	10 mm
D	76 mm
E	65 mm
F	15,9 mm
G	24 mm
J	6 mm
K	9,5 mm
S	9,5 mm
Bolt (G)	M8

UCFCX05 Bearing 2D drawings and 3D CAD models