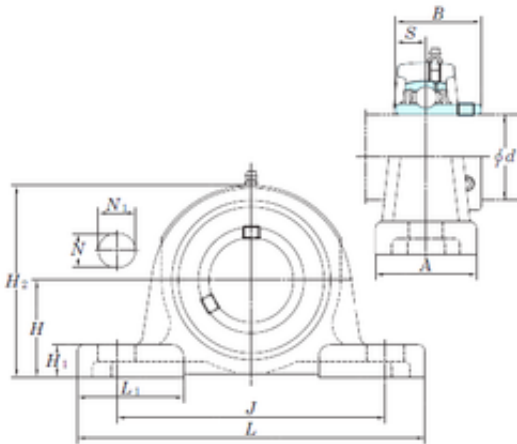




# Toyana Bearing Manufacturing of Canada



UCP320 Bearing 2D drawings and 3D CAD models

## KOYO UCP320 bearing units

Bearing No. UCP320

Bore Diameter	100 mm
Width	108 mm
d	100 mm
A	120 mm
B	108 mm
H	140 mm
H1	46 mm
H2	273 mm
J	380 mm
L	490 mm
L1	140 mm
N	36 mm
N1	50 mm
S	42 mm
Bolt (G)	M30
Weight	35,1 Kg
Basic dynamic load rating (C)	173 kN
Basic static load rating (C0)	141 kN
Bearing No.	UCP320
Bolt size	M30
Cr	173
C0r	141
f0	13.2
(Refer.)Unit mass(kg)	35.1
Nipple size	R1/8