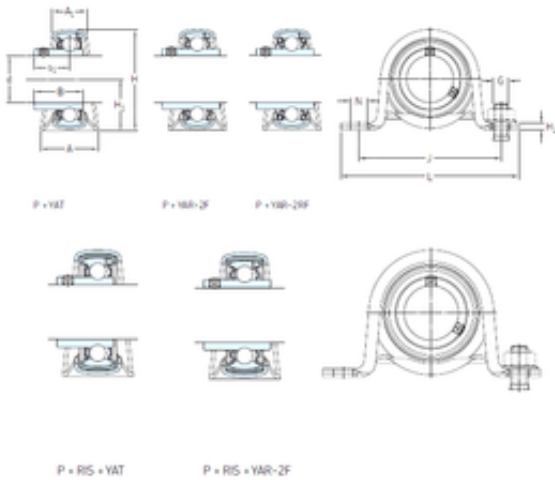




# Toyana Bearing Manufacturing of Canada



## SKF P 40 TR bearing units

Bearing No. P 40 TR

Bore Diameter	40 mm
d	40 mm
s <sub>1</sub>	30,2 mm
A	43 mm
A <sub>1</sub>	29 mm
B	49,2 mm
H	86 mm
H <sub>1</sub>	43,5 mm
H <sub>2</sub>	5 mm
J	120 mm
L	148 mm
N	14 mm
Thread (G)	12
Weight	0,92 Kg
Basic dynamic load rating (C)	30,7 kN
Basic static load rating (C <sub>0</sub> )	19 kN
Housing material	Pressed steel
A <sub>1</sub>	29 mm
B <sub>4</sub>	8 mm
H <sub>1</sub>	43.6 mm
H <sub>2</sub>	5 mm
s <sub>1</sub>	30.2 mm
Basic dynamic load rating C	30.7 kN
Basic static load rating C <sub>0</sub>	19 kN
Fatigue load limit P <sub>u</sub>	0.8 kN
Permissible radial housing	3.8 kN

P 40 TR Bearing 2D drawings and 3D CAD models



## Toyana Bearing Manufacturing of Canada

load max.	
Limiting speed	2800 r/min
Mass bearing unit	0.86 kg
Thread grub screw G <sub>2</sub>	M8x1
Hexagonal key size for grub screw N	4 mm
Recommended tightening torque for grub screw	6.5 N · m
Recommended diameter for attachment bolts, mm G	12 mm
Recommended diameter for attachment bolts, inch G	0.5 in